

KOBELCO

SK45SRX-6/SK55SRX-6

MINI SK45SRX EXCAVATORS SK55SRX

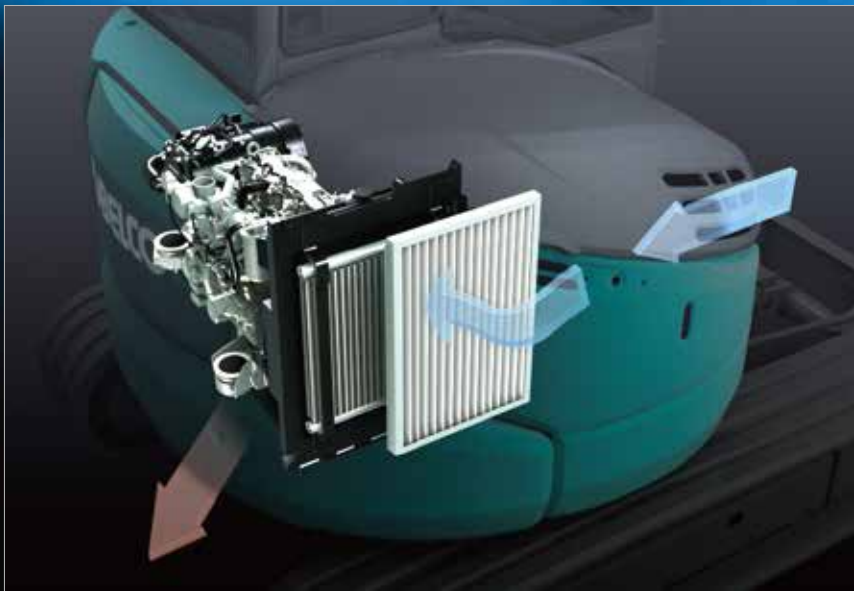


We Save You Fuel
Achieving a Low-Carbon Society

Full-Size Performance, Short-Radius Agility and Quiet Operation

COMPACT YET TOUGH MINI

Now KOBELCO has taken the next evolutionary step by packing even more digging power and practical performance features into the SK45SRX/SK55SRX while maintaining a short tail swing. The new Energy Conservation Mode saves even more fuel, and Kobelco's proprietary iNDr Cooling System ensures quiet operation, protection from dust, and easy maintenance. For greater operator comfort and safety, the rectangular cab design offers plenty of room and an unobstructed view. It all adds up to enhanced full-size performance, short-radius agility and a low-noise environment, with exceptional performance features and a full range of value-added functions.

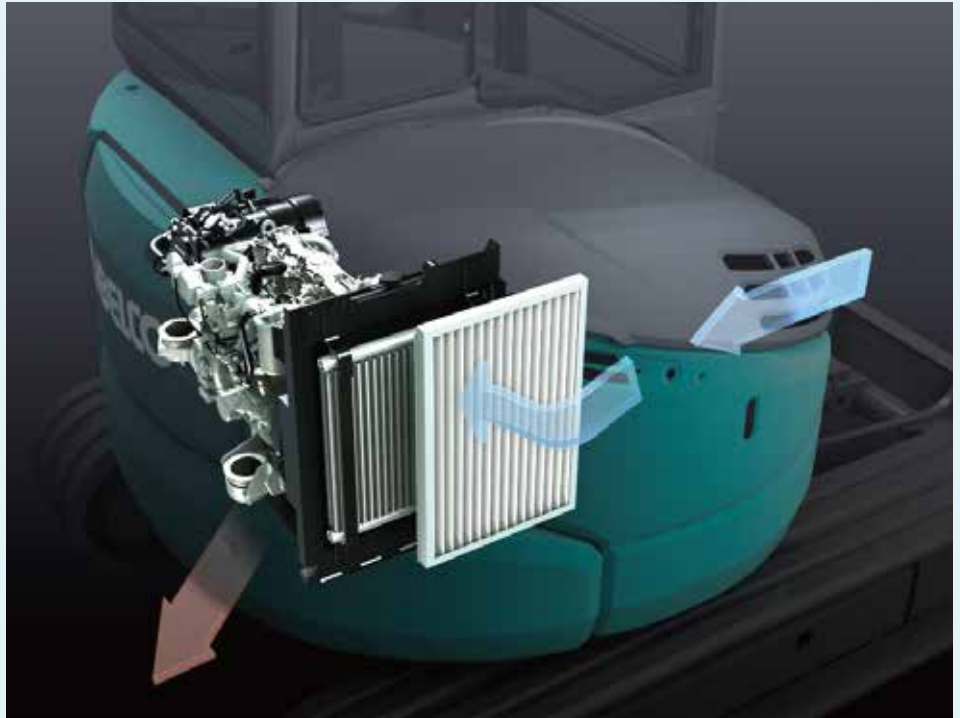




iNDr Cooling System



The highly airtight engine compartment and the offset duct contribute to noise reduction. The iNDr filter fitted in front of the cooling system ensures easy cleaning. The iNDr system on the SK45SRX/SK55SRX features air intake at the front of the machine and air exhaust underneath. It functions in the same way as the iNDr System on the SR series machines.



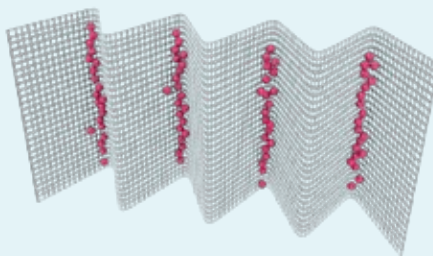
Visual Checking and Easy Cleaning

Because the iNDr filter removes dust from the intake air, cooling components stay dirt-free and do not require regular cleaning. The iNDr filter itself can be easily removed and cleaned without the use of tools.



iNDr Filter

The stainless-steel filter is extremely effective against dust, with 30-mesh wave-type screen that removes tiny dust particles from the intake air.



•30-mesh means that there are 30 holes formed by horizontal and vertical wires in every square inch of filter.

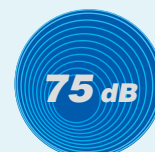
iNDr Filter Blocks Out Dust

Outside air goes directly from the intake duct through the iNDr filter for dust removal.



Ultimate Low Noise

KOBELCO's exclusive iNDr Cooling System delivers amazingly quiet operation. In fact, the SK45SRX/SK55SRX is 9 dB quieter than the previous models.



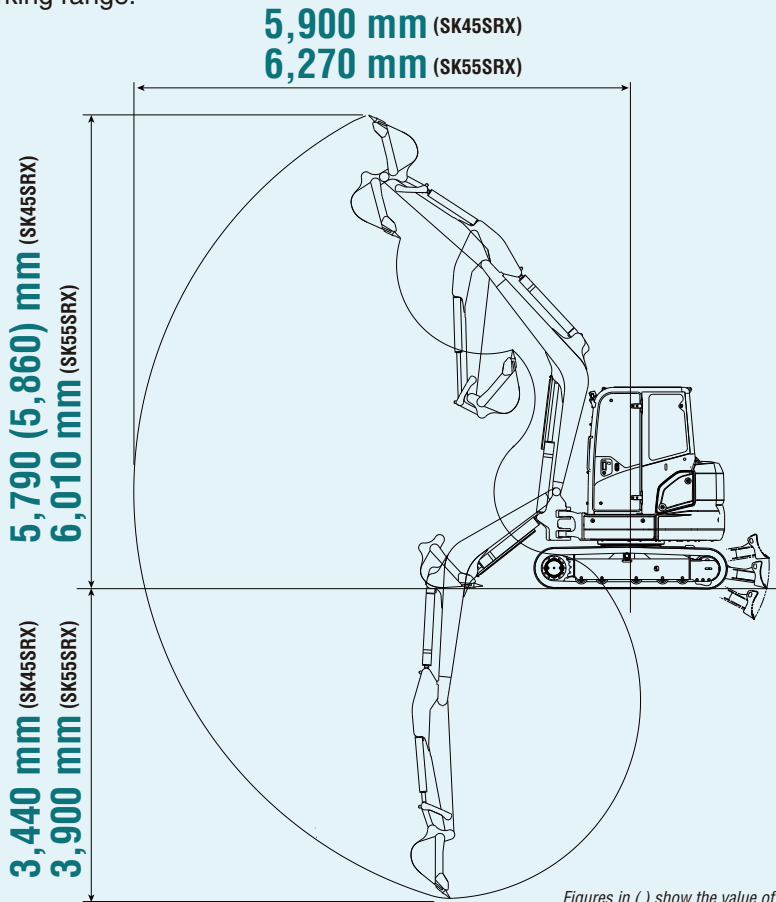
at 1 m backward from machine rearend and 1.5 m height from ground level.

PERFORMANCE

Compact, yet, Big Performance

Wide Working Range

A larger boom and arm are provided as standard equipment to ensure a wider working range.



Short Tail Swing

The compact tail swing improves operating efficiency in limited space.

Tail overhang:
190 mm
(290 mm)*



*Figure shows the value of SK45SRX/SK55SRX with add-on counterweight.

Energy Conservation Mode

The SK45SRX/SK55SRX adapts S mode which enables 23 % less fuel consumption compared with H mode.



One Touch Deceleration

The SK45SRX/SK55SRX features one-touch deceleration. It allows easy switching to an idling state, reducing the fuel consumption while the machine is at rest.



Easy Transportability

With an overall height of 2,530 mm, the machine is designed for easy transport.



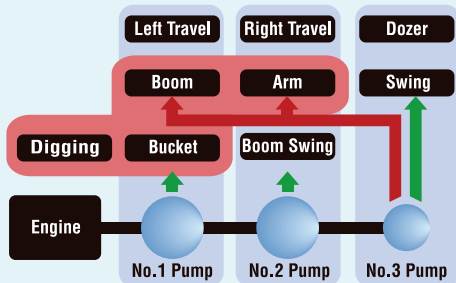
PERFORMANCE

Fast, Full-Powered Digging and Leveling

Powerful Digging Performance

Integrated-Flow Pump System

The instant the machine begins to dig, extra output from the third pump (which otherwise powers the swing and dozer circuit) is directed to the arm circuit and boom circuit (raise) for added power. This ensures fast and smooth arm and boom raising operation even under heavy loads.



Large Capacity Engine

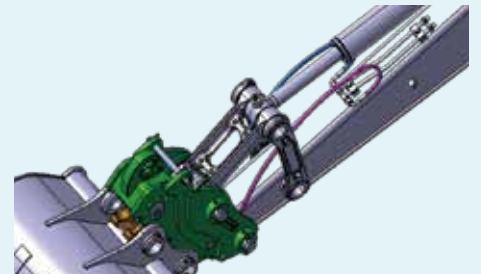
The large-capacity engine packs plenty power for outstanding hydraulic performance.



Easy Hydraulic Piping for Quick Hitch



Quick Hitch is available as option. Piping for Quick Hitch is fitted as standard.



More Travel Power

Large Capacity Travel Torque

The large capacity travel torque enables the machine to perform spin turn in low mode even when the dozer is pushing a heavy load.

Automatic Two-Speed Travel

An automatic shift function ensures smoother, more efficient travel on worksite. When the High mode is selected, the travel system will automatically shift to Low mode whenever the load or climbing grades requires more power.

Travel Switch

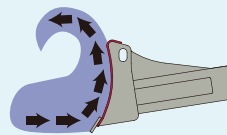
The travel lever is fitted with a button for easy switching to H-Mode travel.



Powerful and Efficient Dozer Performance

Dozer-Blade Shape

KOBELCO's unique blade design solves this problem by forming the earth into an arc that always falls forward. Because this prevents earth from falling behind the blade, only "one pass" is needed.

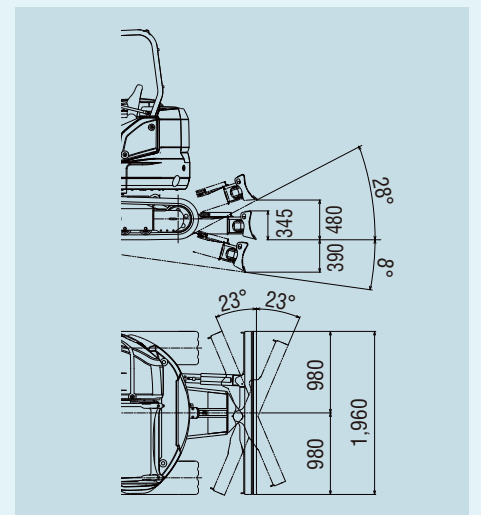


Dozer-Blade Shape

Brand new from KOBELCO is a 4-way blade option available on the SK55SRX. Built-in the same durability as the standard blade, this 4-way option provides 23 to 25 degrees of left and right angle movement for clearing, grading and back-filling. The 4-way blade gives you better control for following changing terrain and helps eliminate the windrowing effect that can occur with standard dozer blades.

Hydraulic Pilot-Controlled Dozer Operation Lever

The dozer lever features hydraulic pilot control for precise handling.



MAINTENANCE

Easy Daily Maintenance

Start-up checks are essential for safe and reliable machine operation. All start-up checks can be performed at ground level, with an easy-to-understand layout and cover design that simplifies access and save time.

Easy Access to Component Under the Seat

Two-piece floor mats for easy washing Hour meter



Model: SK45SRX



Model: SK55SRX



Fuel tank

Easy Access to Cooling Unit



Easy Access to Engine Compartment



High-grade fuel filter



Pre fuel filter with built-in water separator



Air cleaner

COMFORT

Comfortable Work Environment

Spacious Work Environment

The newly designed, rectangular cab is over 820 mm wide, with optimized control layout for comfortable, easy operation. A greater window area further improves visibility. A clear view is provided at the rear, and there's also more floor space, with a seat that slides further to ensure plenty of leg room.



Easy Access

A wide-opening door and a left-hand tilting control console with safety lever that rises high, make it easy for operators to enter and exit the cab.



Work Light



Working light is mounted under the boom to protect from damage.

Control Lever

Precise proportional controls (optional) are integrated into the joystick for ease of operation.



Skylight



Color Liquid Crystal Monitor



The color liquid crystal monitor is fitted as standard. Operation data as well as the full range of machine-status data can readily be checked.



Maintenance



Working hours

Pattern Changer

Pattern changer allows for increased utilization and flexibility to match operator preference.

Pattern Changer is standard fitting for Australia. Another pattern changer is provided for New Zealand.



Comfortable Operating Environment

Hammer for emergency exit



Climate control

The climate control system is located down and to the right of the seat, keeping the rear view clear.



Vents to send cooled air toward the operator if he desires.



Opening/closing front window

The front window features gas damper cylinders for smooth and easy opening and closing.



Coat hook



Room light



Two-speaker FM/AM radio with station select (optional)



Operator Safety

Reliable Cab/Canopy Structure

The high-strength cab/canopy meets ROPS and TOP GUARD LEVEL 1 standards for greater operator safety.



RELIABILITY

Reliable Construction

The boom, arm and swing bracket all have large cross-section segments for added attachment strength.

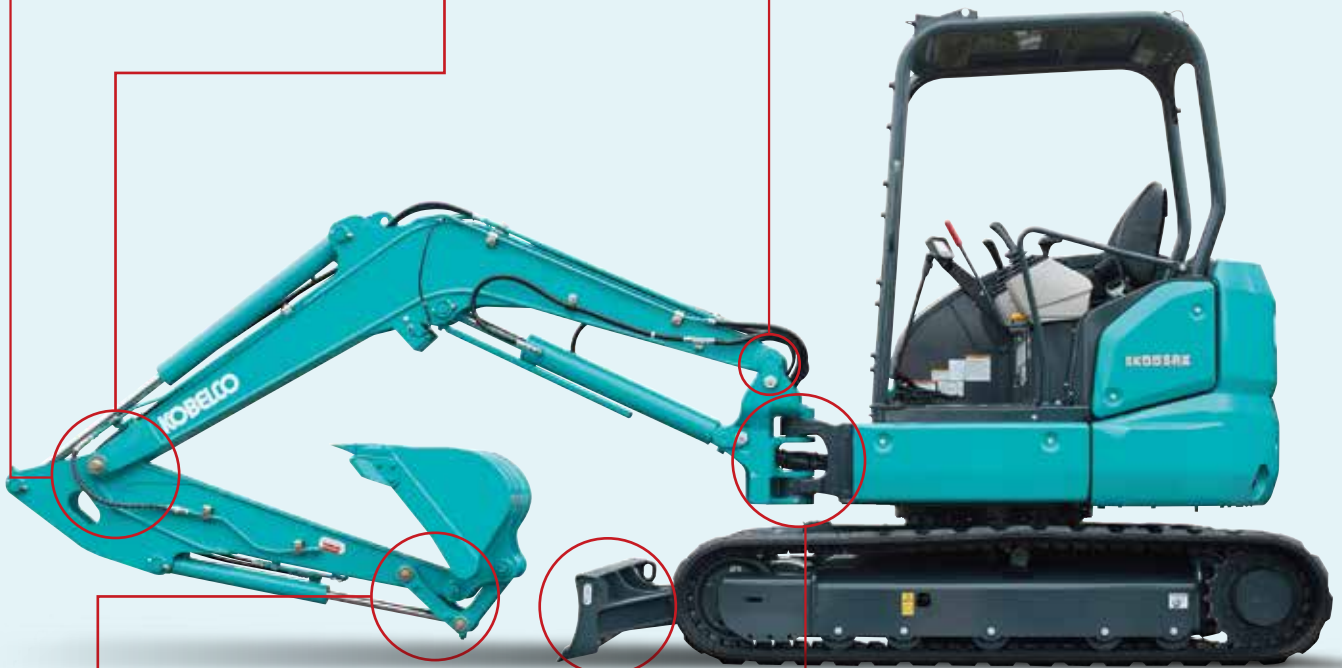
Strong boom and arm

Bolt-tightened pins firmly lock the boom and arm to prevent the boom top from opening laterally.

Forged boom top



Plate type pin



Bucket

Cast-iron idler link provides greater strength.



Dozer

Box construction dozer supports provide greater strength.



Swing bracket

Large, thick cast-iron swing bracket/front bracket.



Hydraulic piping

The hydraulic piping is housed inside the swing bracket.

Accumulator for Emergency Attachment Lowering

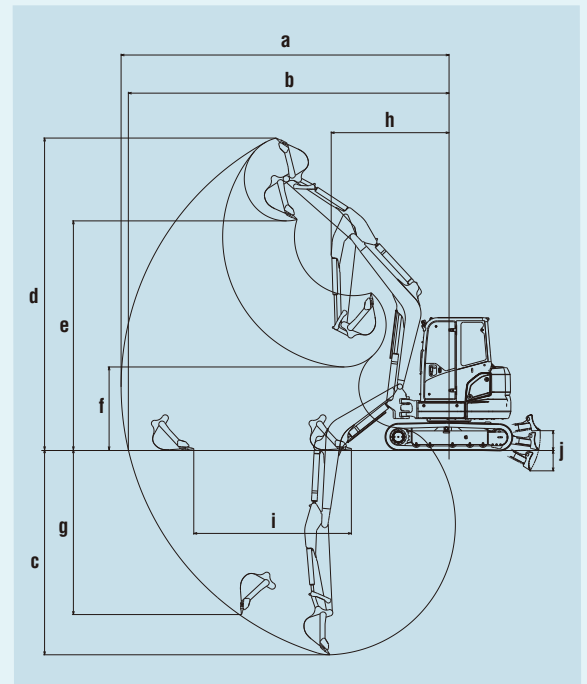
An installed accumulator allows the attachment to be safely lowered to the ground using in-cab controls in the event of an unexpected engine shut-down and class leading smooth operation.



SPECIFICATIONS

MODEL		SK45SRX		SK55SRX	
Type		SK45SRX-6		SK55SRX-6	
Crawler Shoe		Rubber	Steel	Rubber	Steel
Machine Mass	Cab	kg	4,550	4,690	5,020
	Canopy	kg	4,430	4,580	4,900
Bucket Capacity		m ³	0.14		0.16
Bucket Width (with side cutter)		mm	600		600
Arm Length		m	1.55		1.69
Bucket Digging Force		kN	35.2		35.2
Arm Crowding Force		kN	20.9		24.6
ENGINE					
Model		YANMAR 3TNV88-B			
Type		Water cooled, 4-cycle, 4-cylinder, direct injection, diesel engine			
Power Output	(ISO 9249)	kW/min ⁻¹	28.3/2,400		
	(ISO 14396)	kW/min ⁻¹	29.6/2,400		
Max. Torque	(ISO 9249)	N-m/min ⁻¹	131.1/1,400		
	(ISO 14396)	N-m/min ⁻¹	132.9/1,400		
Displacement		L	2.189		
Fuel Tank		L	75		
HYDRAULIC SYSTEM					
Pump		Two variable displacement pumps + One gear pump			
Max. Discharge Flow		L/min	2 x 49.9, 1 x 33.8		
Relief Valve Setting		MPa	23.0		
Hydraulic Oil Tank (system)		L	27.9 (57.7)		
TRAVEL SYSTEM					
Travel Motors		2 x axial-piston, two-step motors			
Parking Brake		Oil disc brake per motor			
Travel Speed (high/low)		km/h	4.0/2.3	3.7/2.1	4.0/2.3
Gradeability		% (degree)	58 (30)		
Drawbar Pulling Force	Cab	kN	55.2		54.9
	Canopy	kN	55.2		54.9
CRAWLER					
Shoe Width		mm	400		
Ground Pressure	Cab	kPa	26.1	27.7	28.7
	Canopy	kPa	25.4	27.0	28
DOZER BLADE					
Width x Height		mm	1,960 x 345		
SWING SYSTEM					
Swing Motor		Axial piston motor			
Parking Brake		Oil disc brake, hydraulic operated automatically			
Swing Speed		min ⁻¹	8.8		
SIDE DIGGING MECHANISM					
Type		Boom swing			

WORKING RANGES

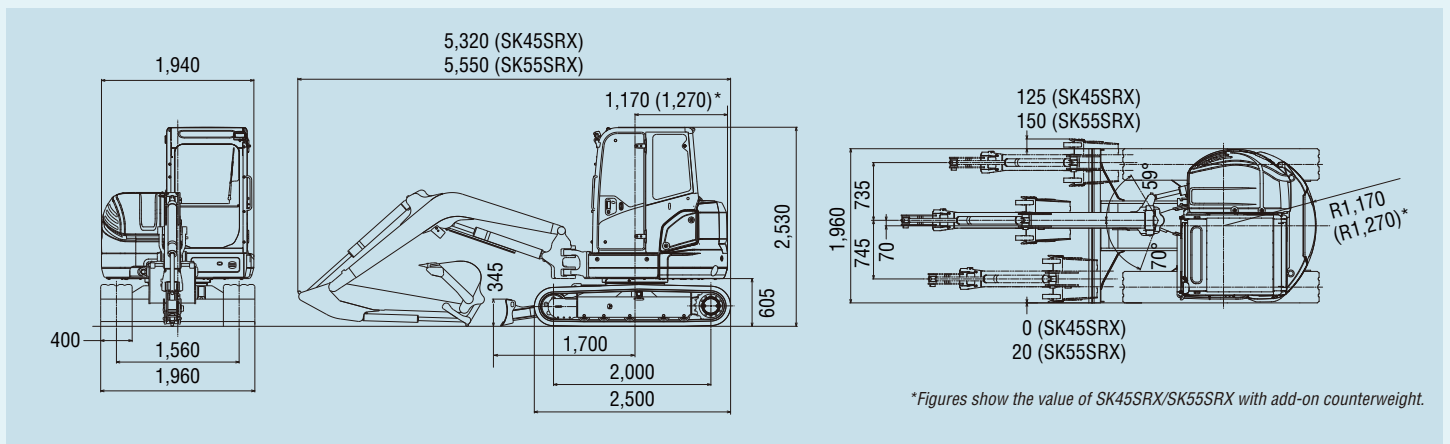


Unit: mm

MODEL	SK45SRX		SK55SRX
	Cab	Canopy	
Arm length	1.55 m		1.69 m
a- Max. digging reach	5,900		6,270
b- Max. digging reach at ground level	5,750		6,130
c- Max. digging depth	3,440		3,900
d- Max. digging height	5,790	5,860	6,010
e- Max. dumping clearance	4,190	4,260	4,420
f- Min. dumping clearance	1,550	1,610	1,590
g- Max. vertical wall digging depth	3,000		3,240
h- Min. swing radius at boom swing	2,410	2,360	2,250
i- Horizontal digging stroke at ground level	1,990	1,920	1,900
j- Dozer blade (height/depth)	2,550		2,950
	465/335		465/335

GENERAL DIMENSIONS

Unit: mm



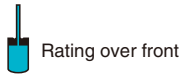
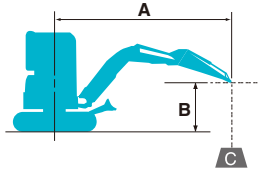
*Figures show the value of SK45SRX/SK55SRX with add-on counterweight.

OPTIONAL EQUIPMENT

- N&B (HCP*) piping
- Bolt-on Pad shoes (for steel shoes)
- BHL lever
- N&B (foot) piping + Rotating N&B (HCP*)
- Add-on counterweight (250 kg) + 100 mm tail swing radius
- Multi-control valve
- N&B (HCP*) piping + Rotating N&B (HCP*)
- Boom & arm holding valve
- Arm & bucket cylinder cover
- ROPS cab with air conditioner
- Wide range of buckets
- Front guard
- Radio (only for cab)
- Rear view mirror
- 12 V power source
- Steel shoe
- Rear under mirror
- Additional light for canopy spec.

*Hand Control Proportional

LIFTING CAPACITIES



Rating over front



Rating over side or 360 degrees

A: Reach from swing centerline to arm top

B: Arm top height above/below ground

C: Lifting capacities in kilograms

Shoe: Rubber shoe Dozer blade: Up

Relief valve setting: 23.0 MPa

SK45SRX Cab		Arm: 1.55 m, Bucket: Without Rubber shoe: 400 mm											
		1.0 m		2.0 m		3.0 m		4.0 m		5.0 m		At Max. Reach	
A		Rating over front		Rating over side or 360 degrees		Rating over front		Rating over side or 360 degrees		Rating over front		Rating over side or 360 degrees	
B		Rating over front		Rating over side or 360 degrees		Rating over front		Rating over side or 360 degrees		Rating over front		Rating over side or 360 degrees	
4.0 m	kg											*860	840
3.0 m	kg					*1,170	*1,170	990	830			770	650
2.0 m	kg					1,520	1,240	960	800			680	570
1.0 m	kg					1,420	1,150	920	770	660	550	650	550
G. L.	kg					1,380	1,110	900	740			680	570
-1.0 m	kg	*2,010	*2,010	*1,390	*1,390	1,380	1,110	890	740			780	650
-2.0 m	kg			2,970	2,230	1,410	1,140					1,110	920

SK45SRX Cab		Arm: 1.55 m, Bucket: Without Rubber shoe: 400 mm Add-on Counterweight (250 kg)											
		1.0 m		2.0 m		3.0 m		4.0 m		5.0 m		At Max. Reach	
A		Rating over front		Rating over side or 360 degrees		Rating over front		Rating over side or 360 degrees		Rating over front		Rating over side or 360 degrees	
B		Rating over front		Rating over side or 360 degrees		Rating over front		Rating over side or 360 degrees		Rating over front		Rating over side or 360 degrees	
4.0 m	kg											*860	*860
3.0 m	kg					*1,170	*1,170	1,130	950			*780	750
2.0 m	kg					*1,720	1,420	1,100	920			780	660
1.0 m	kg					1,630	1,330	1,060	890	770	650	760	640
G. L.	kg					1,590	1,290	1,040	860			790	660
-1.0 m	kg	*2,010	*2,010	*1,390	*1,390	1,590	1,290	1,030	860			910	760
-2.0 m	kg			*3,010	2,560	1,620	1,320					1,280	1,060

SK45SRX Canopy		Arm: 1.55 m, Bucket: Without Rubber shoe: 400 mm											
		1.0 m		2.0 m		3.0 m		4.0 m		5.0 m		At Max. Reach	
A		Rating over front		Rating over side or 360 degrees		Rating over front		Rating over side or 360 degrees		Rating over front		Rating over side or 360 degrees	
B		Rating over front		Rating over side or 360 degrees		Rating over front		Rating over side or 360 degrees		Rating over front		Rating over side or 360 degrees	
4.0 m	kg											*860	820
3.0 m	kg					*1,170	*1,170	960	800			740	630
2.0 m	kg					1,470	1,200	930	780			650	550
1.0 m	kg					1,380	1,120	890	740	640	540	630	530
G. L.	kg					*1,390	*1,390	1,330	1,080	870	720	660	550
-1.0 m	kg	*2,010	*2,010	*2,700	2,100	1,330	1,080	860	710			760	630
-2.0 m	kg			2,870	2,160	1,360	1,100					1,080	890

SK45SRX Canopy		Arm: 1.55 m, Bucket: Without Rubber shoe: 400 mm Add-on Counterweight (250 kg)											
		1.0 m		2.0 m		3.0 m		4.0 m		5.0 m		At Max. Reach	
A		Rating over front		Rating over side or 360 degrees		Rating over front		Rating over side or 360 degrees		Rating over front		Rating over side or 360 degrees	
B		Rating over front		Rating over side or 360 degrees		Rating over front		Rating over side or 360 degrees		Rating over front		Rating over side or 360 degrees	
4.0 m	kg											*860	*860
3.0 m	kg					*1,170	*1,170	1,100	930			*780	730
2.0 m	kg					1,680	1,380	1,070	900			760	640
1.0 m	kg					1,590	1,300	1,030	860	740	630	730	620
G. L.	kg					*1,390	*1,390	1,540	1,260	1,000	840	760	640
-1.0 m	kg	*2,010	*2,010	*2,700	2,440	1,540	1,250	1,000	840			880	740
-2.0 m	kg			*3,010	2,490	1,570	1,280					1,240	1,030

SK55SRX Cab		Arm: 1.69 m, Bucket: Without Rubber shoe: 400 mm											
		1.0 m		2.0 m		3.0 m		4.0 m		5.0 m		At Max. Reach	
A		Rating over front		Rating over side or 360 degrees		Rating over front		Rating over side or 360 degrees		Rating over front		Rating over side or 360 degrees	
B		Rating over front		Rating over side or 360 degrees		Rating over front		Rating over side or 360 degrees		Rating over front		Rating over side or 360 degrees	
5.0 m	kg											*1,040	*1,040
4.0 m	kg							*930	*930			970	820
3.0 m	kg							*1,000	970	800	680	780	660
2.0 m	kg					*1,620	1,430	1,110	930	790	660	710	590
1.0 m	kg					1,630	1,320	1,070	880	770	640	680	570
G. L.	kg					*1,250	*1,250	1,580	1,270	1,030	850	760	630
-1.0 m	kg	*2,080	*2,080	*2,580	2,480	1,580	1,270	1,020	840			790	650
-2.0 m	kg	*3,210	*3,210	*3,360	2,530	1,600	1,290	1,050	860			1,020	840
-3.0 m	kg			*1,590	*1,590							*1,190	*1,190

SK55SRX Cab		Arm: 1.69 m, Bucket: Without Rubber shoe: 400 mm Add-on Counterweight (250 kg)											
		1.0 m		2.0 m		3.0 m		4.0 m		5.0 m		At Max. Reach	
A		Rating over front		Rating over side or 360 degrees		Rating over front		Rating over side or 360 degrees		Rating over front		Rating over side or 360 degrees	
B		Rating over front		Rating over side or 360 degrees		Rating over front		Rating over side or 360 degrees		Rating over front		Rating over side or 360 degrees	
5.0 m	kg											*1,040	*1,040
4.0 m	kg							*930	*930			*1,000	920
3.0 m	kg							*1,000	*1,000	910	770	890	750
2.0 m	kg					*1,620	1,600	*1,220	1,050	890	760	800	680
1.0 m	kg					1,840	1,500	1,200	1,000	870	740	770	650
G. L.	kg					*1,250	*1,250	1,790	1,450	1,170	970	860	720
-1.0 m	kg	*2,080	*2,080	*2,580	*2,580	1,790	1,450	1,160	970			890	750
-2.0 m	kg	*3,210	*3,210	*3,360	2,860	1,810	1,470	1,180	990			1,150	960
-3.0 m	kg			*1,590	*1,590							*1,190	*1,190

SK55SRX Canopy		Arm: 1.69 m, Bucket: Without Rubber shoe: 400 mm											
		1.0 m		2.0 m		3.0 m		4.0 m		5.0 m		At Max. Reach	
A		Rating over front		Rating over side or 360 degrees		Rating over front		Rating over side or 360 degrees		Rating over front		Rating over side or 360 degrees	
B		Rating over front		Rating over side or 360 degrees		Rating over front		Rating over side or 360 degrees		Rating over front		Rating over side or 360 degrees	
5.0 m	kg											*1,040	*1,040
4.0 m	kg							*930	*930			940	790
3.0 m	kg							*1,000	950	780	660	760	640
2.0 m	kg					*1,620	1,390	1,080	900	770	640	680	570
1.0 m	kg					1,590	1,280	1,030	860	750	620	660	550
G. L.	kg					*1,250	*1,250	1,530	1,240	1,000	830	730	610
-1.0 m	kg	*2,080	*2,080	*2,580	2,410	1,530	1,230	990	820			760	630
-2.0 m	kg	*3,210	*3,210	*3,290	2,460	1,560	1,260	1,010	840			980	820
-3.0 m	kg			*1,590	*1,590							*1,190	*1,190

SK55SRX Canopy		Arm: 1.69 m, Bucket: Without Rubber shoe: 400 mm Add-on Counterweight (250 kg)											
		1.0 m		2.0 m		3.0 m		4.0 m		5.0 m		At Max. Reach	
A		Rating over front		Rating over side or 360 degrees		Rating over front		Rating over side or 360 degrees		Rating over front		Rating over side or 360 degrees	
B		Rating over front		Rating over side or 360 degrees		Rating over front		Rating over side or 360 degrees		Rating over front		Rating over side or 360 degrees	
5.0 m	kg											*1,040	*1,040
4.0 m	kg							*930	*930			*1,000	900
3.0 m	kg							*1,000	*1,000	880	750	860	730
2.0 m	kg					*1,620	1,570	*1,220	1,020	870	740	780	660
1.0 m	kg					1,790	1,460	1,170	980	850	720	750	640
G. L.	kg					*1,250	*1,250	1,740	1,410	1,140	950	830	700
-1.0 m	kg	*2,080	*2,080	*2,580	*2,580	1,740	1,410	1,130	940			870	730
-2.0 m	kg	*3,210	*3,210	*3,360	2,790	1,770	1,430	1,150	960			1,120	930
-3.0 m	kg			*1,590	*1,590							*1,190	*1,190

Notes:

- Do not attempt to lift or hold any load that is greater than these lift capacities at their specified lift point radius and heights. Weight of all accessories must be deducted from the above lift capacities.
- Lift capacities are based on machine standing on level, firm, and uniform ground. User must make allowance for job conditions such as soft or uneven ground, out of level conditions, side loads, sudden stopping of loads, hazardous conditions, experience of personnel, etc.
- Arm top defined as lift point.

- The above lifting capacities are in compliance with ISO 10567. They do not exceed 87% of hydraulic lifting capacity or 75% of tipping load. Lifting capacities marked with an asterisk (*) are limited by hydraulic capacity rather than tipping load.
- Operator should be fully acquainted with the Operator's and Maintenance Instructions before operating this machine. Rules for safe operation of equipment should be adhered to at all times.
- Lift capacities apply to only machine as originally manufactured and normally equipped by KOBELCO CONSTRUCTION MACHINERY CO., LTD.

Note: This catalog may contain attachments and optional equipment that are not available in your area. And it may contain photographs of machines with specifications that differ from those of machines sold in your areas. Please consult your nearest KOBELCO distributor for those items you require. Due to our policy of continuous product improvements all designs and specifications are subject to change without advance notice.

Copyright by KOBELCO CONSTRUCTION MACHINERY CO., LTD. No part of this catalog may be reproduced in any manner without notice.

KOBELCO CONSTRUCTION MACHINERY CO., LTD.

5-15 kitashinagawa 5-chome, Shinagawa-ku, Tokyo 141-8626 JAPAN
Tel: +81 (0) 3-5789-2146 Fax: +81 (0) 3-5789-2135
www.kobelco-kenki.co.jp/english_index.html

Inquiries To: