

LM1445 LM1745



TELEHANDLERS TURBO

PERFECT VISIBILITY IN ALL DIRECTIONS

OUTSTANDING STABILITY AND MANOEVRABILITY

CNH INDUSTRIAL ENGINE COMPLYING WITH EUROPEAN
STANDARDS 97/68/EC - TIER 3



BUILT AROUND YOU

PRODUCT RANGE AND ADVANTAGES



The New Holland Telescopic Handlers range allows customer to choose the most suitable machine for his specific job. All models share the following winning features and customer advantages:

- Perfect visibility to the top of the arm fully raised and all around, to operate in complete relax
- Outstanding stability for maximum performances and safety
- Completely simultaneous movements can be achieved with maximum precision for extra productivity
- High transfer speed thanks to a perfectly modulated Power Shift transmission which, in addition, grants an exceptional traction force and digging capability
- Wide choice of attachments for different applications to maximise machine versatility



WIDE STABILIZERS

For applications that require total operational stability

VISIBILITY AND OPERATIONAL COMFORT



UNIQUE CAB

The spacious cab offers the best visibility available on the market. Its rounded front profile and large glass area of 8.1 m², gives the operator total control of the arm in every position, as well as right, left and rear side when manoeuvring in restricted working spaces.

An exceptionally wide door , opens 180° and is constructed in two sections to enable the upper section to be opened independently from the lower one. Both door sections may be secured at the fully open position for operator safety and convenience. Outstanding operator comfort and confidence for increased daily production



ERGONOMIC AND ELEGANT CAB



The elegant and wide cab is more than a working post. The instruments and controls are ergonomically located to ensure unbeatable comfort and safety. The cab's internal surfaces are coated with ABS plastic for quick, easy and effective cleaning.

The standard, fully adjustable, tilting steering column grants a full range of operator adjustments to provide his most suitable driving position.

New Holland Telehandlers feature a single lever multifunction manipulator. The boom lifting/lowering and the fork or bucket closing/opening are hydraulically controlled by moving the manipulator respectively back & forth and left & right. The boom extension/retraction is operated, according to the model, by an on/off electrical button or by an electro-proportional "rocker".



A simple, modern and comfortable manipulator which provides maximum precision in load positioning for fast, safe and productive operations.

HYDRAULIC SYSTEM & TRANSMISSION



HYDRAULICS

The New Holland Telehandlers feature a “Load Sensing – Flow Sharing” hydraulic system which guarantee completely simultaneous and independent movements as well as smooth and easy operation in all type of application.

TIER 3A ENGINE

All telehandlers are equipped with the last generation of CNH Industrial diesel engines with 4.5 litres displacement. These modern power plants, with different configurations and settings, develop the right power requested by each model while complying with Australian Standards.

TRANSMISSION

The transmission, Power Shift 4 + 3 speeds type, grants:

- Superior traction force for outstanding digging capacity
- Unrivalled transport speed for faster cycles
- Exceptionally smooth modulation while changing gear or selecting forward and reverse

A fast, aggressive, smooth transmission to grant maximum operator comfort and production increase.



EASE OF OPERATION



STEERING CAPABILITY

All New Holland Telehandlers feature an outstanding steering capability of 3.89 m.

They also feature 4 wheel steering with 3 different positions which may be easily selected by a switch, protected against accidental inputs, ergonomically positioned inside the cab.

Therefore the operator can choose the most suitable steering configuration according to the type of job on his hands:

- Front wheels steering only: most suitable for travelling and for transport operations;
- All wheels steering: for excellent mobility in confined spaces;
- Crab steering: to easy clean-up alongside walls or buildings without any complicated manoeuvres.

LIFTING CAPACITIES

Exceptional lifting capacity and operational manoeuvrability and stability

LMI445 TURBO	-4500 kg
LMI745 TURBO	-4500 kg









SERVICE PLUS





THE NEW HOLLAND DEALER: YOUR PROFESSIONAL PARTNER

Your success starts with world-class New Holland machinery and attachments. Your New Holland dealer will help you work smarter and faster by selecting equipment that delivers performance and operator comfort. Your dealer has the knowledge and experience necessary to help you choose the right attachments so you can...

- **Work faster and extend equipment life.**
- **Increase machine utilization.**
- **Increase your capabilities.**

Let your New Holland dealer service your machine on the jobsite. You'll be back on the job faster. Advantages include...

- **Responsive job site service to keep your equipment running.**
- **Increase machine uptime.**
- **Certified service staff and improved parts availability.**

PARTS

When you're looking for superior parts options to maximize the performance and lower the operating costs of your New Holland machinery, turn to CNH Original Parts to keep you equipped for success.

CNH Original Parts fit better, install faster and last longer and in an industry where "high impact" and "heavy lifting" are the norm, the smallest mechanical differences can lead to big problems.

CNH Original Parts from New Holland are manufactured from superior materials and specifically designed for New Holland to continually and reliably withstand the punishment of everyday construction. So steer clear of mechanical problems and future breakdowns, by choosing CNH Original Parts from New Holland. They're the only parts that are field-tested and proven to keep your New Holland equipment performing its best.

SERVICE. RELY ON NEW HOLLAND TO DELIVER FOR YOU

Your commitment to your operation is evident every day, but that doesn't minimize the enormous pressure you face to reduce operating costs and improve productivity. So when you're on the job, make sure you have top-notch service and support of New Holland behind you every step of the way. With our factory trained technicians, you can ensure that top-notch service professionals are working on your maintenance needs, so you can focus on your business and the big job challenges ahead, not on the tasks of servicing your equipment.

With your New Holland Service, you get more than mere oil changes. A New Holland Service ensures your New Holland equipment receives a thorough service that meets all requirements of its service schedules and properly maintains it for the day-in, day-out punishment of construction work.

Don't give another thought to time-consuming maintenance tasks. Simply rest easy and make certain that your service needs are taken care of by a New Holland factory trained technician.





When the unexpected occurs, you need to know your equipment is protected. At New Holland we understand the importance of your machinery being in good working order when it counts. Service Plus is designed to help keep your equipment working well beyond the manufacturer's base warranty period while taking away the concerns of the cost and inconvenience of mechanical failure.

WHAT ARE THE ADVANTAGES OF SERVICE PLUS?

PEACE OF MIND

Provides protection beyond the Manufacturer's Base Warranty Period.

FLEXIBLE OPTIONS

Plans can be customised to meet individual needs.

DEPENDABLE SERVICE

Eligible repairs completed by an authorised New Holland Dealership and their trained service technician's using genuine OEM parts & lubricants.

TRANSFERABLE PROTECTION

New Equipment Plans may be transferred to a new owner at no charge

• STANDARD PROTECTION PLAN 3 Year / 3000 Hour

Additional years/hours can be purchased. Please contact your local New Holland dealer for further information.

STANDARD SERVICE PLUS PROTECTION PLAN CONSTRUCTION EQUIPMENT MASTER PARTS SCHEDULE

This plan provides coverage for the components listed below when a failure occurs due to a defect in material or workmanship, and may provide coverage for additional components not listed when the damage is caused by or resulting from a covered failure of a listed component.

PREMIER COMPONENTS COVERED

ENGINE AND ALL INTERNAL LUBRICATED COMPONENTS WITHIN	TRANSMISSIONS/AXLES/HYDROSTATICS	ELECTRICAL	HYDRAULICS
Accessory Gears	Axle Housing	Alternator	Accumulator And Related Relief Valve
Air Intake Hose	Axle Shaft	Gauges	Brake Accumulator
Camshaft	Clutch Discs (Wet Only)	Horn	Brake Pressure Sensor
Camshaft Bearings	Clutch Plates (Wet Only)	Indicators	Brake Pump, Brake Valve
Camshaft Drive Gear	Control Rods	Instruments	Differential Lock Valve
Catalytic Converter	Counter Shaft Clutch	Electronic Joysticks	Fan Pumps And Motors
Charge Air Cooler	Differential Housing	Electric Motors	Hydraulic Cylinders
Cold Start Enrichment Systems	Differential Pinion Gear / Ring Gear	Factory Installed Telematics	Hydraulic Hoses and Piping
Connecting Rods & Bearings	Drive Axle Hub	Sensors	Hydraulic Motors
Crankshaft Bearings & Gear	Drive Shaft Support Bearing	Solenoid Valves	Hydraulic Oil Coolers
Crankshaft Including Front And Rear Crankshaft Seals	Drive Shaft with Universal Joints	Starter And Starter Solenoid	Hydraulic Pumps
Cylinder Heads/ Head Gaskets	Electronic Transmission Controller and Valve	Switches	Hydraulic Reservoir
Cylinder Liners	Enclosed Oil Immersed Chains and Sprockets	Traction Control System	Hydraulic Valves
Diesel Exhaust Fluid Tank and Dispensing System	External Oil Lines	Voltage Regulator	Internal O-Rings and Bonded Washers
Diesel Particulate Filter	Filler Tubes (Transmission)	Wiring Harnesses	Pilot Control
EGR System Manifold	Final Drive Pinion	Wiring Harnesses Exclusions	Pressure Reducing Valves
Electronic Engine Control Module	Final Drive Planetary Gears	Rubbing, Chafing, Loose Or Corroded Connections	Unloading Valves
Engine Block	Front Wheel Drive Sensors	FACTORY INSTALLED HEAT AND AIR CONDITIONING	STRUCTURAL
Engine Mounts And Supports	Hydraulic Drive / Travel Motor	Accumulator	Backhoe Booms
Engine Oil Cooler	Hydraulic Drive Pump	Clutch	Backhoe/Excavator Dipper Sticks
Engine Speed Controls, Linkages, and Cables	Hydraulic Transmission-Control Valve	Compressor	C Frame
Exhaust Manifold and Muffler	Hydrostatic Motor	Condenser	Car Body
Fan And Fan Drive	Hydrostatic Transmission Charge Pump	Dryer	Chassis
Filter Mount	Hydrostatic Transmission Pump	Evaporator	Circle Frame
Flywheel, Ring Gear	Hydrostatic/Hydraulic Pump Drives	Expansion Valve	Engine Frame
Front And Rear Engine Covers And Seals	Internal Lubricated Clutch Housings	Heater Core	Equipment Frame
Front Damper	Internal Transmission Control Linkage	Hoses	Excavator Booms
Fuel Lines	Internal Wet Service Brakes	Pulley	Falling Object Protection Structure (FOPS)
Fuel Tank	MFWD Axle/Differential Assembly including Driveshaft and U Joint	Seals & Gaskets	Forklift Masts
Fuel Transfer Pump & Gasket	Planetary Gear Carrier	Temperature Control Programmers and Valves	Inner and Outer Dipper Arms of the Extendable Boom (Backhoe Loader)
Injection Pump	Pneumatic Valves	OPERATOR AREA	Main Frame
Injectors	Rotary Hydraulic Manifold	Covers and Panels	Rollover Protection Structure (ROPS)
Intake and Exhaust Manifold And Gaskets	Splitter Drive/Drop Box	Exterior/Interior Door/Panel Latches, Hinges & Struts	Swing Frame
Oil Filler Tube	Steering Clutches (Wet)	Exterior/Interior Moldings	Swing Tower Castings (Backhoe Loader)
Oil Lines	Swing Motor And Swing Gear Box	Knobs for Switches and Handles	Track Frame
Oil Pan And Gasket	Torque Converter	Mirrors	Wheel Loader/Skid steer Loader Arms
Oil Pump	Torque Converter Pump	Seat Frame & Suspension	
Pistons & Rings	Transfer Drive		
Pre-Cleaner/Air Cleaner Housing	Transmission Case		
Pressure/Temperature Sensors & Sending Units	Transmission Gears, Bearings, & Shafts		
Pulleys	Transmission Pump		
Radiator	Travel & Swing Sections (only) Of Main Control Valve		
Rocker Arm Assembly	Travel Control Valve		
Selective Catalytic Reduction System	Turntable Bearing		
Thermostats	Undercarriage Roller And Idler Seals And Bearings		
Timing Gears	Undercarriage Tensioners		
Turbocharger And Gasket	UNDERCARRIAGE EXCLUSIONS:		
Valve Cover And Gasket	Sprocket, Tracks, Pads, Bolts, Chains, Or Any Failure Due To Wear, Or Breakage Caused By Wear		
Water Piping			
Water Pumps			

This plan excludes coverage for any failure to any component caused by or resulting from the failure of a component not listed as a covered component, including any resulting damage to a listed component. See the Terms and Conditions document for complete plan details.

LMI 445

SPECIFICATIONS



ENGINE

Make and model CNH Industrial 4TAA 4,5
 Type Turbo aftercooler
 Total displacement 4.5 l
 Net flywheel power (ISO 14396) 88 kw / 118 hp
 Max torque 525@1250 rpm Nm



HYDRAULIC SYSTEM

Type Load Sensing
 Hydraulic controls Servo
 Simultaneous movement yes
 Hydraulic pump gear
 Hydraulic flow 115 l/min
 Hydraulic pressure 240 bar



TRANSMISSION

Type PowerShift
 Forward/Reverse speeds 4/3
 Max speed on road** 35 Km/h
 ** Max. speed limited according to the country's legislations



CAPACITIES

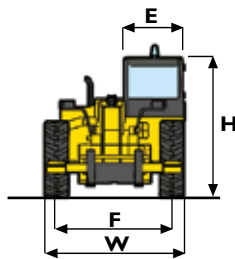
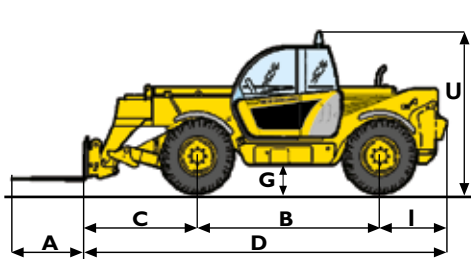
Fuel tank 135 l
 Hydraulic tank 180 l



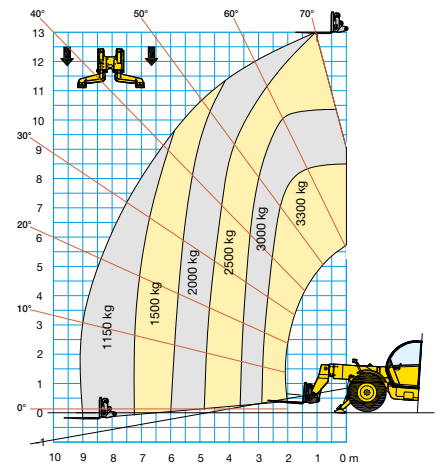
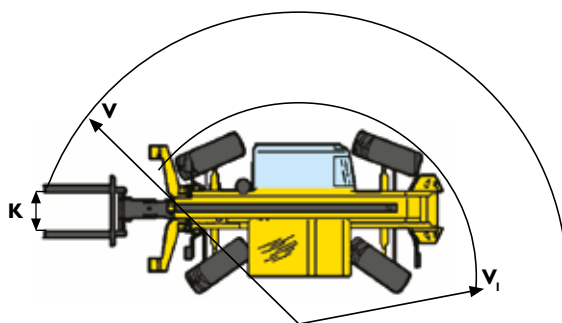
TYRES

15.5x22.5 MICHELIN
 15.5x25 MICHELIN
 405/70x24 SOLIDEAL
 400/80x24 DUNLOP
 405/70x24 MITAS
 13.0X24 GOODYEAR

DIMENSIONS (with MITAS 405/70x24)



A	mm	1200
B	mm	3120
C	mm	1880
D	mm	6100
E	mm	1000
F	mm	2050
G	mm	402
H	mm	2450
I	mm	1100
K	mm	1260
T	mm	4552
U	mm	2730
V	mm	5390
V_i	mm	3890
W	mm	2445



LMI 445 TURBO

EN1459/B

PERFORMANCE		LMI 445 with large Stab.
Maximum lift capacity (at 500 mm from fork heel)	kg	4500/4000*
Maximum lift height	m	13.55/13.30*
Lift capacity at maximum reach	kg	1500/650*
Lift capacity at maximum lift height	kg	3600/1700*
Reach fully raised	m	0.30/1.00*
Maximum forward reach	m	9.33/9.33*
Height with max load (4000/4500 kg)	m	11.40/7.30*
Break out force	daN	7750/7750*
Operating weight	kg	11460

*Machine with stabilizers up

LM1745

SPECIFICATIONS



ENGINE

Make and model CNH Industrial 4TAA 4.5
 Type Turbo aftercooler
 Total displacement 4.5 l
 Net flywheel power (ISO 14396) 88 kw / 118 hp
 Max torque 525@1250 rpm Nm



HYDRAULIC SYSTEM

Type Load Sensing
 Hydraulic controls Servo
 Simultaneous movement yes
 Hydraulic pump gear
 Hydraulic flow 115 l/min
 Hydraulic pressure 240 bar



TRANSMISSION

Type PowerShift
 Forward/Reverse speeds 4/3
 Max speed on road** 35 Km/h
 ** Max. speed limited according to the country's legislations



CAPACITIES

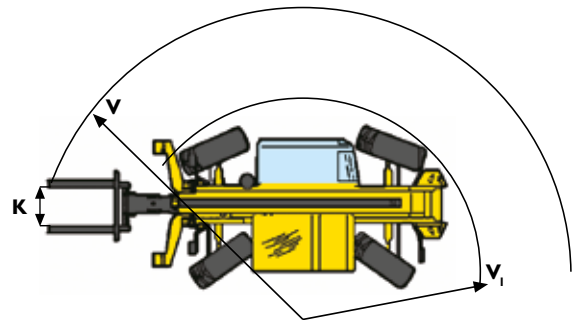
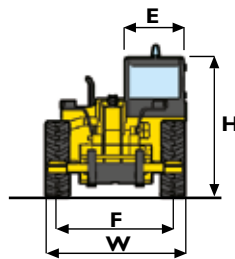
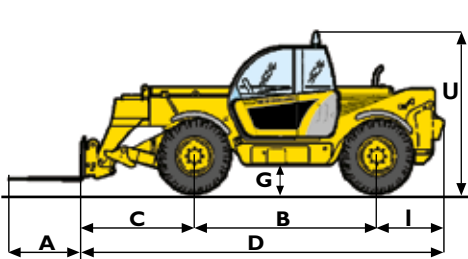
Fuel tank 135 l
 Hydraulic tank 180 l



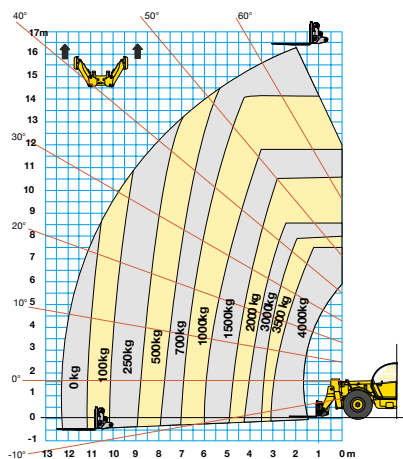
TYRES

15.5x22.5 MICHELIN
 15.5x25 MICHELIN
 405/70x24 SOLIDEAL
 400/80x24 DUNLOP
 405/70x24 MITAS
 13.0X24 GOODYEAR

DIMENSIONS (with MITAS 405/70x24)

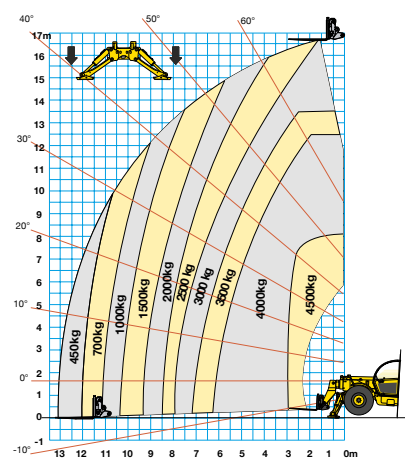


A	mm	1200
B	mm	3120
C	mm	2100
D	mm	6230
E	mm	1000
F	mm	2050
G	mm	402
H	mm	2450
I	mm	1100
K	mm	1260
T	mm	4598
U	mm	2730
V	mm	5445
V₁	mm	3890
W	mm	2445



LM1745 TURBO

ENI459/B

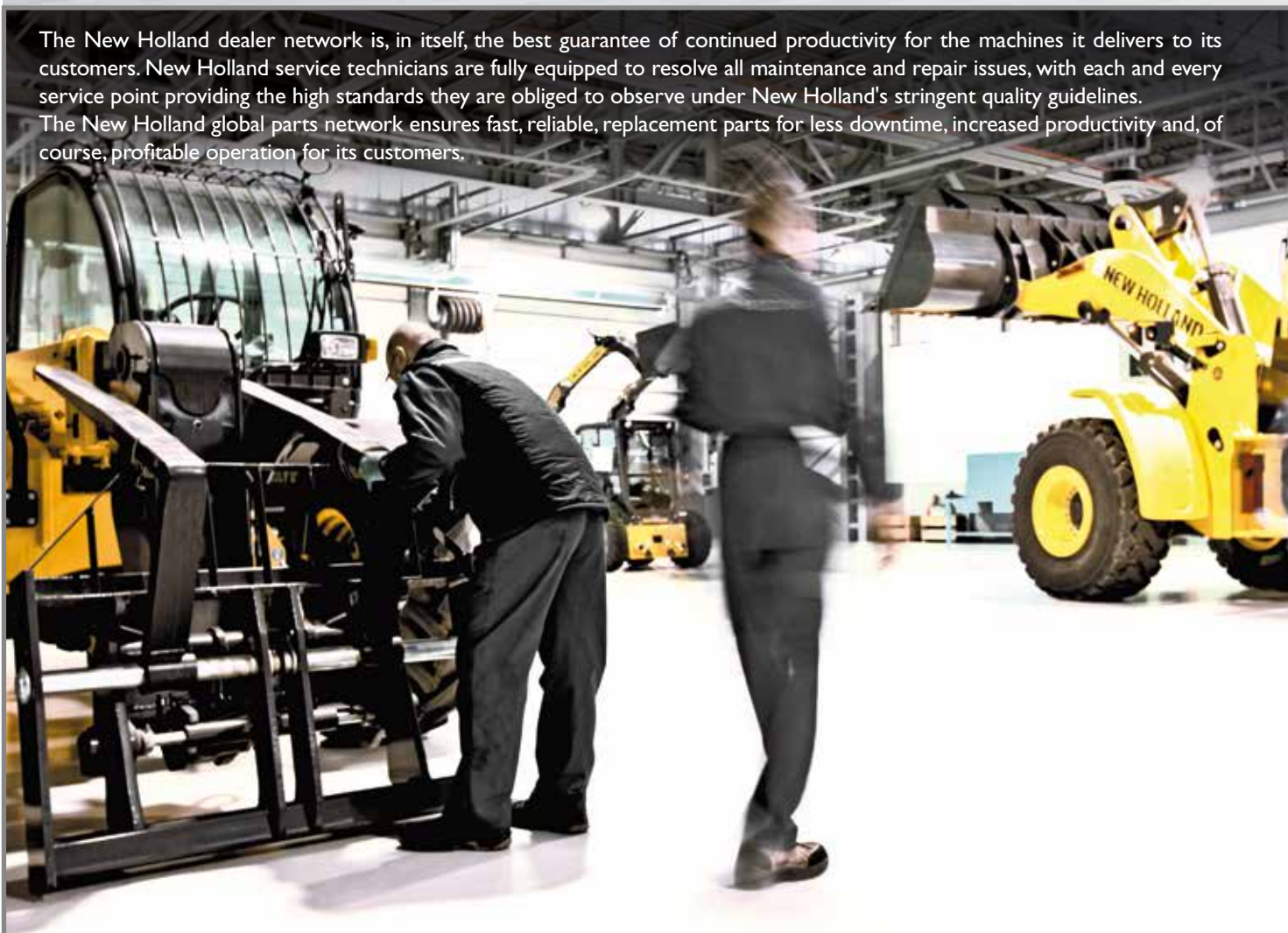


LM1745 TURBO

PERFORMANCE		LM1745	LM1745
		with small Stab.	with large Stab.
Maximum lift capacity (at 500 mm from fork heel)	kg	4000	4500
Maximum lift height	m	16.24	16.60
Lift capacity at maximum reach	kg	-	450
Lift capacity at maximum lift height	kg	700	3000
Reach fully raised	m	2.00	1.00
Maximum forward reach	m	12.54	12.54
Height with max load (4000/4500 kg)	m	7.40	7.95
Break out force	daN	7750	7750
Operating weight	kg	12300	12300

PARTS AND SERVICE

The New Holland dealer network is, in itself, the best guarantee of continued productivity for the machines it delivers to its customers. New Holland service technicians are fully equipped to resolve all maintenance and repair issues, with each and every service point providing the high standards they are obliged to observe under New Holland's stringent quality guidelines. The New Holland global parts network ensures fast, reliable, replacement parts for less downtime, increased productivity and, of course, profitable operation for its customers.



AT YOUR OWN DEALERSHIP

The information contained in this brochure is intended to be of general nature only. The NEW HOLLAND CONSTRUCTION MACHINERY S.p.A. company may at any time and from time to time, for technical or other necessary reasons, modify any of the details or specifications of the product described in this brochure. Illustrations do not necessarily show products in standard conditions. The dimensions, weights and capacities shown herein, as well as any conversion data used, are approximate only and are subject to variations within normal manufacturing techniques.

Printed in Australia - MediaCross Firenze - Cod ANZ3501NCGB - Printed 02/14

Printed on recycled paper
CoC-FSC 000010 CQ Mixed sources



www.newholland.com

