

Engine	Cummins QSL9.3
Gross Power	162 kW (220 hp) @ 2,000 rpm
Net Power	149 kW (202 hp) @ 2,000 rpm
Operating Weight	17,000 kg
Standard Bucket Size	3 m ³
Standard Breakout Force	179 kN
Standard Dump Clearance	3,100 mm

856H WHEEL LOADER



TOUGH WORLD. TOUGH EQUIPMENT.

856H SPECIFICATIONS >>>

ENGINE

Emission Regulation	Tier 3 / Stage III
Make	Cummins
Model	QSL9.3
Gross Power	162 kW (220 hp) @ 2,000 rpm
Net Power	149 kW (202 hp) @ 2,000 rpm
Peak Torque	1000 N · m @ 1,400 rpm
Displacement	9.3 L
Number of Cylinder	6
Aspiration	Turbocharged & Air-to-air intercooled

TRANSMISSION

Transmission Type	Countershaft, power shift
Torque Converter	Single stage, three elements
Maximum Travel Speed, fwd	38.3 km/h
Maximum Travel Speed, rev	23.3 km/h
Number of Speed, fwd	4
Number of Speed, Rev	3

AXLES

Differential Front Type	Limited slip
Differential Rear Type	Limited slip
Axle Oscillation	±12°

STEERING

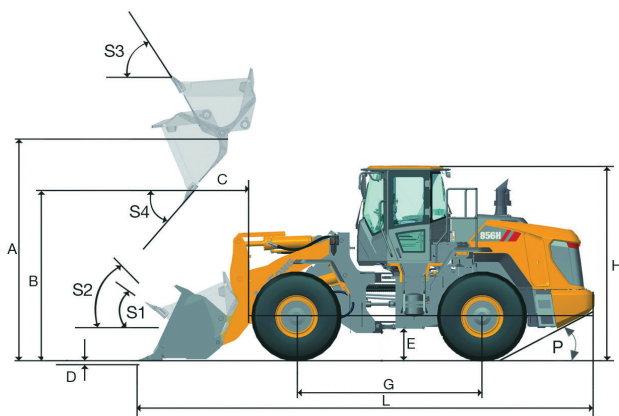
Steering Configuration	Articulated
Steering Relief Pressure	18 MPa

BRAKES

Service Brake Type	Wet discs brake
Service Brake Actuation	Hydraulic
Parking Brake Type	Manual electronic control
Parking Brake Actuation	Hydraulic

HYDRAULIC SYSTEM

Main Pump Type	Piston
Main Relief Pressure	22 MPa
Raise	5.8 s
Dump Time	1.4 s
Float Down Time	3 s
Fastest Total Cycle Time	10.2 s



LOADER ARM PERFORMANCE

Tipping Load - Straight	12,400 kg
Tipping Load - Full Turn	10,800 kg
Bucket Breakout Force	179 kN
A Maximum Hinge Pin Height	4,159 mm
B Dump Clearance at Full Height Discharge	3,100 mm
C Dump Reach at Full Height Discharge	1,126 mm
D Maximum Digging Depth, Bucket Level	80 mm
S ₁ Bucket Rollback at Ground Level	42°
S ₂ Bucket Rollback at Carry	48°
S ₃ Bucket Rollback at Maximum Height	58°
S ₄ Maximum Dump Angle at Full Height	45°

BUCKET PERFORMANCE

Reference Bucket	2.6 - 5.6 m ³
------------------	--------------------------

DIMENSIONS

E Ground Clearance	431 mm
G Wheelbase	3,320 mm
H Cab Height	3,450 mm
J Wheel Tread	2,150 mm
K Width Over Tires	2,750 mm
L Length with Bucket Down	8,357 mm
M Turn Angle, Either Side	38°
P Rear Angle of Departure	27°
R ₁ Turning Radius, Bucket Carry	6,896 mm
R ₂ Turning Radius, Outside of Tire	6,205 mm

TIRES

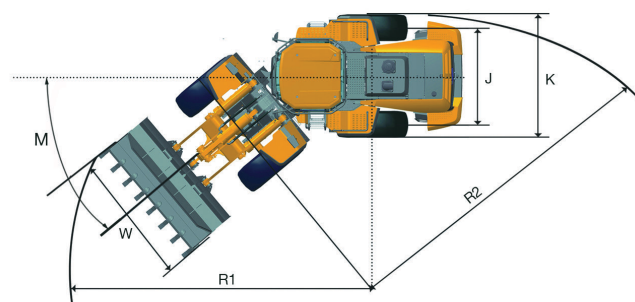
Tire Size	23.5 - 25
-----------	-----------

OPERATING WEIGHTS

Operating Weight	17,000 kg
------------------	-----------

SERVICE CAPACITY

Fuel Tank	300 L
Engine Oil	20 L
Cooling System	52 L
Hydraulic System	236 L
Transmission and Torque Converter	35 L
Axles, Each	44 L



Guangxi Liugong Machinery Co., Ltd.

No. 1 Liutai Road, Liuzhou, Guangxi 545007, PR China

T: +86 772 3886124

E: overseas@liugong.com

www.liugong.com

Specifications and designs are subject to change without notice. Machines shown may include optional equipment.

03/2017 Designed by LiuGong