

TF42.7-140

TURBOFARMER II

- ▶ Fuel efficient **Duetz Tier IV Final Engine**
- ▶ **EPD – Electronic Transmission Management** minimises RPM's when not required, reducing fuel consumption
- ▶ **Merlo cabin** leads the way in **operator comfort, ergonomics, and visibility**
- ▶ **Boom Suspension System (BSS)** delivers active dampening during material handling



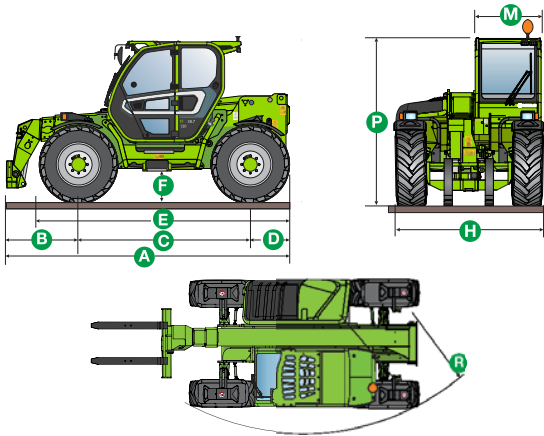
SINCE 1964

Merlo's TF42.7-140 delivers the **best in performance, efficiency and versatility.**



TURBOFARMER II

TF42.7-140

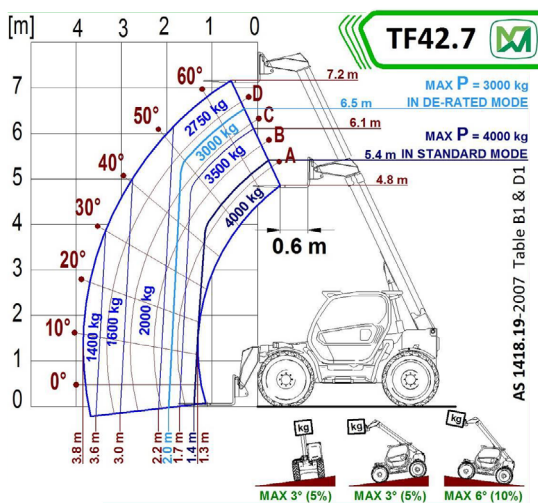


DIMENSIONS

A (mm)	4,520
B (mm)	1,075
C (mm)	2,800
D (mm)	645
E (mm)	3,980
F (mm)	460
H (mm)	2,250
M (mm)	995
P (mm)	2,490
R (mm)	3,985

PERFORMANCE

Unladen Weight (kg)	7,450
Maximum Load Capacity (kg)	4,000
Maximum Lift Height (m)	7.2
Capacity at Maximum Height (kg)	2,750
Maximum Reach (m)	3.8
Capacity at Maximum Reach (kg)	1,400



STANDARD SPECIFICATIONS

Engine

Turbo Engine	Duetz TCD3.6 Euro IV
Range/Cylinders	3600/4
Engine Power (kW/HP)	100/136
Maximum Speed (km/h)	40
Fuel Tank Capacity (l)	140

Transmission

Hydrostatic Merlo EPD Transmission	Std
Speeds	2
Dual Reverse Shuttle System	Std
Pedal Inching-Control	Std
Permanent Four-Wheel Drive	Std

Brakes

Automatic Parking Brake	Std
External Dry Disc Service Brakes	Std

Tyres

Standard Tyres	405/70-24
----------------	-----------

Cab

Air Conditioned Cabin	Std
Pressurized Cabin	Std
Air Suspension Seat	Std
FOPS (ISO 3449) and ROPS (ISO 3471) Cab	Std

Steering

All Wheel Steering	Std
--------------------	-----

Instruments

Electromechanical Joystick Control	Std
Merlo Dynamic Load Control (M-CDC)	Std
Reversing Camera	Std

Hydraulic System-Implement

Load-Sensing Hydraulic System (bar-l/min)	210-150
BSS Hydro-Pneumatic Boom Suspension	Std
Hydraulic Oil Tank Capacity (l)	110
Fan Drive Pump (l/min)	46
Auxiliary Hydraulic Service on Boom	Std

Accessories and Attachments

Tac-Lock Attachment Locking	Std
Standard Forks	Std
Fork Extensions	Optional
Digging Bucket	Optional
Re-Handling Bucket	Optional
4 x 1 Bucket	Optional
Multipurpose Bucket with Grab	Optional
Crane Hook	Optional
Reduced Height Crane Jib	Optional
Drum Clamp	Optional
Forks with Slide Protection	Optional
Handler for Single Round Bale	Optional
Fork Rotator	Optional
Carriage with Floating Forks	Optional

EXTRA SPECIFICATIONS

Hydraulic Reversing Fan	Std
-------------------------	-----



120-124 Toongabbie Road Girraween 2145 NSW Australia
For further information please call **1300 657 325** or visit merloaustralia.com.au

Merlo reserves the right to modify and update the contents of this document at any time. Information and technical data are as available at time of printing.

For current information on Merlo products please contact your Merlo dealer.

ABN 87116110751 **MER-TF42.7-140-2018**