

MF40.7CS

MULTIFARMER

- ▶ Comes standard with **mechanical PTO and 3-point linkage**
- ▶ **Hydrostatic transmission** ensures **excellent safety** through dynamic braking
- ▶ Equipped with **four external spool valves** for rear mounted implements
- ▶ **CVTronic** significantly increases torque at low speeds **improving performance and towing capacity**

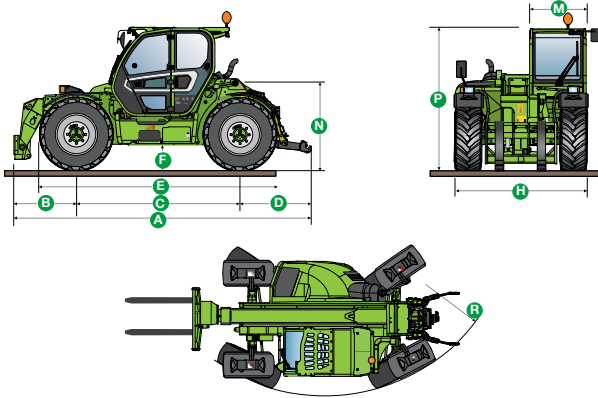


SINCE 1964

The all new **MF40.7CS telehandler** combines safety, efficiency and performance.



MULTIFARMER MF40.7CS

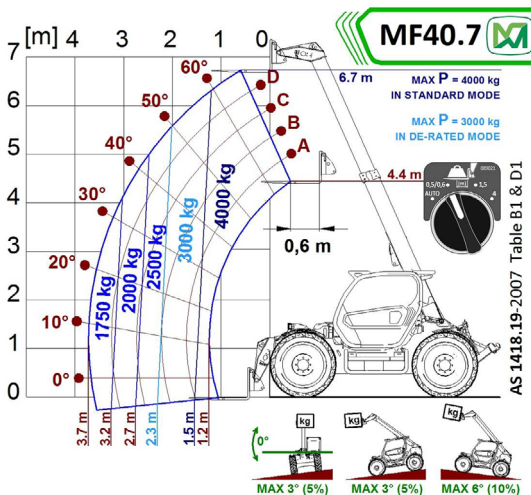


DIMENSIONS

| | |
|--------|-------------|
| A (mm) | 5,310 |
| B (mm) | 1,110 |
| C (mm) | 2,920 |
| D (mm) | 1,280 |
| E (mm) | 4,240 |
| F (mm) | 450 |
| H (mm) | 2,360 |
| M (mm) | 1,010 |
| N (mm) | 1,630 |
| P (mm) | 2,525 (min) |
| R (mm) | 4,080 |

PERFORMANCE

| | |
|---------------------------------|-------|
| Unladen Weight (kg) | 8,700 |
| Maximum Load Capacity (kg) | 4,000 |
| Maximum Lift Height (m) | 6.8 |
| Capacity at Maximum Height (kg) | 4,000 |
| Maximum Reach (m) | 3.7 |
| Capacity at Maximum Reach (kg) | 1,750 |
| Frame Levelling (%) | ±9 |



STANDARD SPECIFICATIONS

Engine

| | |
|------------------------|---------------------|
| Turbo Engine | Duetz Tier4 Interim |
| Range/Cylinders | 4.1/4 |
| Engine Power (kW/HP) | 115/156 |
| Maximum Speed (km/h) | 40 |
| Fuel Tank Capacity (l) | 150 |

Transmission

| | |
|------------------------------------|----------|
| Hydrostatic Merlo EPD Transmission | Std |
| Speeds | CVTronic |
| Dual Reverse Shuttle System | Std |
| Pedal Inching-Control | Std |
| Permanent Four-Wheel Drive | Std |

Brakes

| | |
|----------------------------------|-----|
| Automatic Parking Brake | Std |
| External Dry Disc Service Brakes | Std |

Tyres

| | |
|----------------|------------|
| Standard Tyres | 500/70 R24 |
|----------------|------------|

Cab

| | |
|---|-----|
| Cab Suspension | Std |
| Air Conditioned Cabin | Std |
| Pressurized Cabin | Std |
| Air Suspension Seat | Std |
| FOPS (ISO 3449) and ROPS (ISO 3471) Cab | Std |

Steering

| | |
|--------------------|-----|
| All Wheel Steering | Std |
|--------------------|-----|

Instruments

| | |
|------------------------------------|-----|
| Electronic Joystick Control | Std |
| Merlo Dynamic Load Control (M-CDC) | Std |
| Reversing Camera | Std |

Hydraulic System-Implement

| | |
|--|---------|
| LS Flow-Sharing Hydraulic System (bar/l/min) | 210/152 |
| BSS Hydro-Pneumatic Boom Suspension | Std |
| Hydraulic Oil Tank Capacity (l) | 95 |
| Auxiliary Hydraulic Service on Boom | Std |

Accessories and Attachments

| | |
|-------------------------------|----------|
| Tac-Lock Attachment Locking | Std |
| Standard Forks | Std |
| Fork Extensions | Optional |
| Digging Bucket | Optional |
| Re-Handling Bucket | Optional |
| 4 x 1 Bucket | Optional |
| Multipurpose Bucket with Grab | Optional |
| Drum Clamp | Optional |
| Forks with Slide Protection | Optional |
| Handler for Single Round Bale | Optional |
| Rear Hydraulic Pick Up Hitch | Optional |
| Rotator | Optional |
| Crane Hook | Optional |
| Reduced Height Crane Jib | Optional |

EXTRA SPECIFICATIONS

| | |
|-------------------------------------|-----|
| Two Standard Fork Tyres | Std |
| Mechanical PTO (540/1000) | Std |
| 3 Point Linkage | Std |
| 4 Rear Hydraulic Lines - 2 Floating | Std |
| - 2 Constant Flow | Std |
| Hydraulic Trailer Brakes | Std |
| Rear Diff Lock | Std |



120-124 Toongabbie Road Girraween 2145 NSW Australia
For further information please call **1300 657 325** or visit merloaustralia.com.au

Merlo reserves the right to modify and update the contents of this document at any time. Information and technical data are as available at time of printing.

For current information on Merlo products please contact your Merlo dealer.

ABN 87116110751 **MER-MF40.7CS-2018**