

MF40.9CS

MULTIFARMER

- ▶ Proven Merlo **winning performance** in a larger, more adept machine
- ▶ **Front or rear axle** can be locked in relation to the task to be performed - boom or 3-point linkage
- ▶ CVTronic increases torque at low speeds to **improve performance** and towing capacity
- ▶ The largest in its category, its suspended cab comes complete with **multi-function armrests**

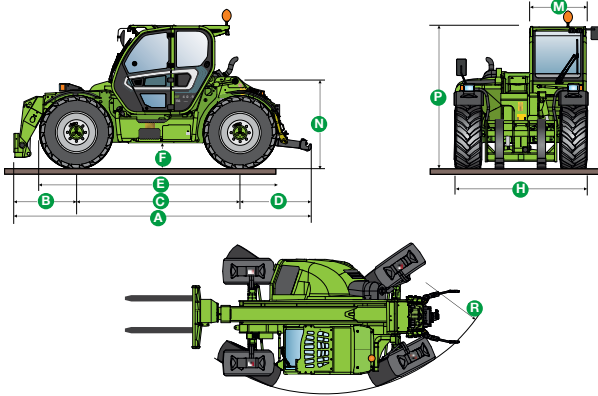


SINCE 1964

Merlo's larger and safer **MF40.9CS** telehandler delivers top efficiency and performance.



MULTIFARMER MF40.9CS

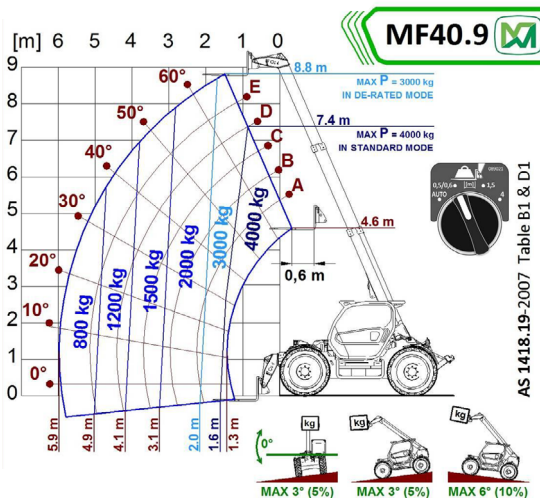


DIMENSIONS

A (mm)	5,490
B (mm)	1,290
C (mm)	2,920
D (mm)	1,280
E (mm)	4,240
F (mm)	450
H (mm)	2,360
M (mm)	1,010
N (mm)	1,630
P (mm)	2,525 (min)
R (mm)	4,080

PERFORMANCE

Unladen Weight (kg)	9,100
Maximum Load Capacity (kg)	4,000
Maximum Lift Height (m)	8.8
Capacity at Maximum Height (kg)	3,000
Maximum Reach (m)	5.9
Capacity at Maximum Reach (kg)	800
Frame Levelling (%)	±9



STANDARD SPECIFICATIONS

Engine	
Turbo Engine	Duetz Tier4 Interim
Range/Cylinders	4.1/4
Engine Power (kW/HP)	115/156
Maximum Speed (km/h)	40
Fuel Tank Capacity (l)	150
Transmission	
Hydrostatic Merlo EPD Transmission	Std
Speeds	CVTronic
Dual Reverse Shuttle System	Std
Pedal Inching-Control	Std
Permanent Four-Wheel Drive	Std
Brakes	
Automatic Parking Brake	Std
External Dry Disc Service Brakes	Std
Tyres	
Standard Tyres	500/70 R24
Cab	
Cab Suspension	Std
Air Conditioned Cabin	Std
Air Suspension Seat	Std
FOPS (ISO 3449) and ROPS (ISO 3471) Cab	Std
Steering	
All Wheel Steering	Std
Instruments	
Electronic Joystick Control	Std
Merlo Dynamic Load Control (M-CDC)	Std
Reversing Camera	Std
Hydraulic System-Implement	
LS Flow-Sharing Hydraulic System (bar-l/min)	210/152
BSS Hydro-Pneumatic Boom Suspension	Std
Hydraulic Oil Tank Capacity (l)	95
Auxiliary Hydraulic Service on Boom	Std
Accessories and Attachments	
Tac-Lock Attachment Locking	Std
Standard Forks	Std
Fork Extensions	Optional
Digging Bucket	Optional
Re-Handling Bucket	Optional
4 x 1 Bucket	Optional
Multipurpose Bucket with Grab	Optional
Drum Clamp	Optional
Forks with Slide Protection	Optional
Handler for Single Round Bale	Optional
Rear Hydraulic Pick Up Hitch	Optional
Rotator	Optional
Crane Hook	Optional
Reduced Height Crane Jib	Optional
EXTRA SPECIFICATIONS	
Mechanical PTO (540/1000)	Std
3 Point Linkage	Std
4 Rear Hydraulic Lines - 2 Floating	Std
- 2 Constant Flow	Std
Hydraulic Trailer Brakes	Std
Rear Diff Lock	Std



120-124 Toongabbie Road Girraween 2145 NSW Australia
For further information please call **1300 657 325** or visit merloaustralia.com.au

Merlo reserves the right to modify and update the contents of this document at any time. Information and technical data are as available at time of printing.

For current information on Merlo products please contact your Merlo dealer.

ABN 87116110751 **MER-MF40.9CS-2018**