



D'AVINO

DS70 ARTICULATED DUMPER



KEY FEATURES

- 180° SWIVEL ABRASION RESISTANT BODY
- ENHANCED STABILITY
- 4WD HYDROSTATIC TRANSMISSION
- FOLDABLE ROPS STRUCTURE
- COMPACT SIZE
- HIGH QUALITY COMPONENTS
- ROBUST AND RELIABLE

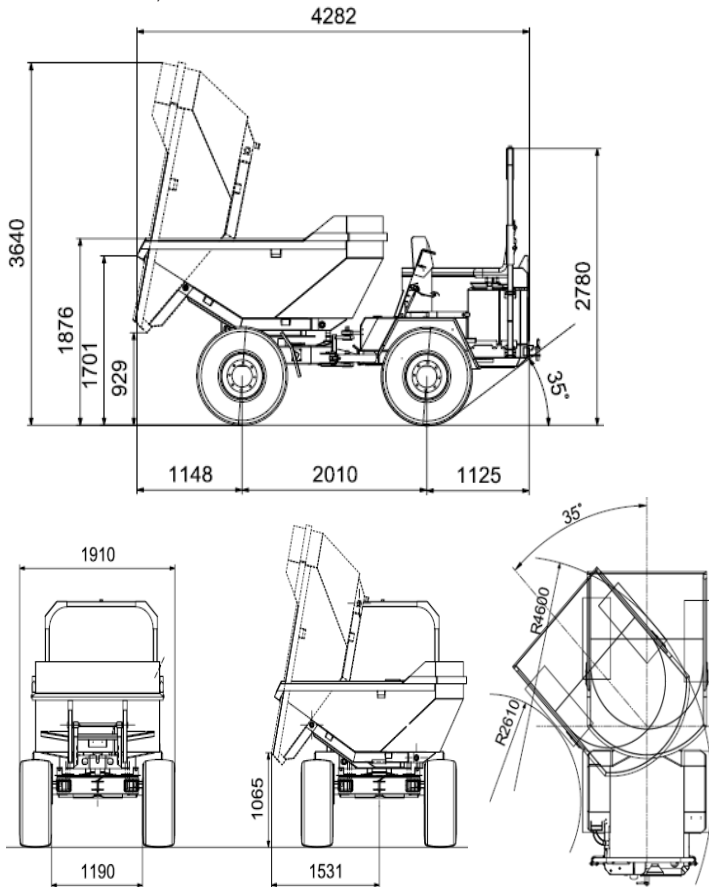
NIMAC
PACIFIC

PERFORMANCE

MODEL	DS70
Maximum Load Capacity	7000 Kg
SAE Heaped Capacity	3600 L
Struck Capacity	2800 L
Unladen Weight	3500 Kg
MAX Driving Speed	30 Km/h
MAX Gradeability with Full load	35%

STANDARD SPECIFICATIONS:

ENGINE	
Model	Yanmar Diesel Tier IIIA
Engine Power	(52,1 Kw/70,7 Hp)
TRANSMISSION	
Type/Model	Automotive Hydrostatic Transmission
Axles	Planetary reduction on differential output
Articulation/Swing	± 31° / ±15°
Gears	2 Forward and 2 Reverse
BRAKES	
Service and Parking Brakes	Oil-Immersed Multi-discs Hydraulically Operated
TYRES	
Standard Tyres	12.5/80-18"
DRIVING PLATFORM	
Grammer Deluxe seat	Std
Foldable ROPS Protection frame	Std
HYDRAULIC SYSTEM	
Double Hydraulic Gear Pump	14/16 cm ³
BODY	
Certified HARDOX 450 Abrasion Resistant Body Structure	Std
180° Swivel body, unloading on 3 sides	Std
MISCELLANEOUS	
Fuel tank capacity	78 L
Hydraulic tank capacity	90 L
Electrical system voltage	12v
AVAILABLE OPTIONS	
Yanmar TierV engine	Optional
Front View Camera System	Optional
LED Work lights Kit	Optional
Canopy	Optional



MADE IN ITALY 